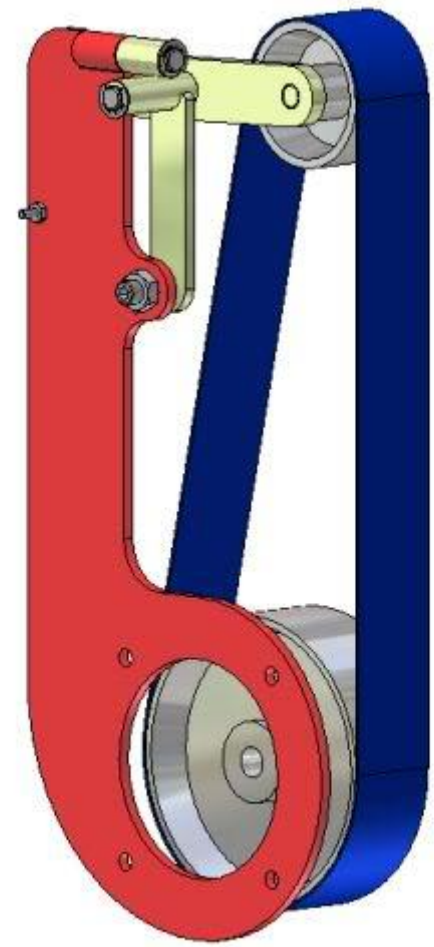
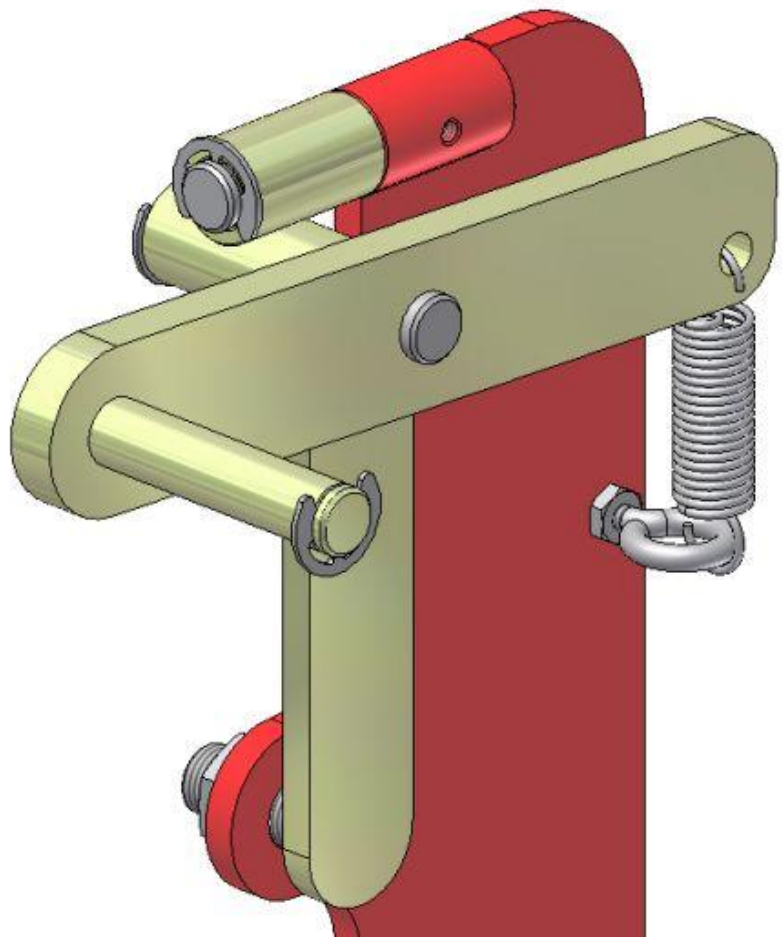


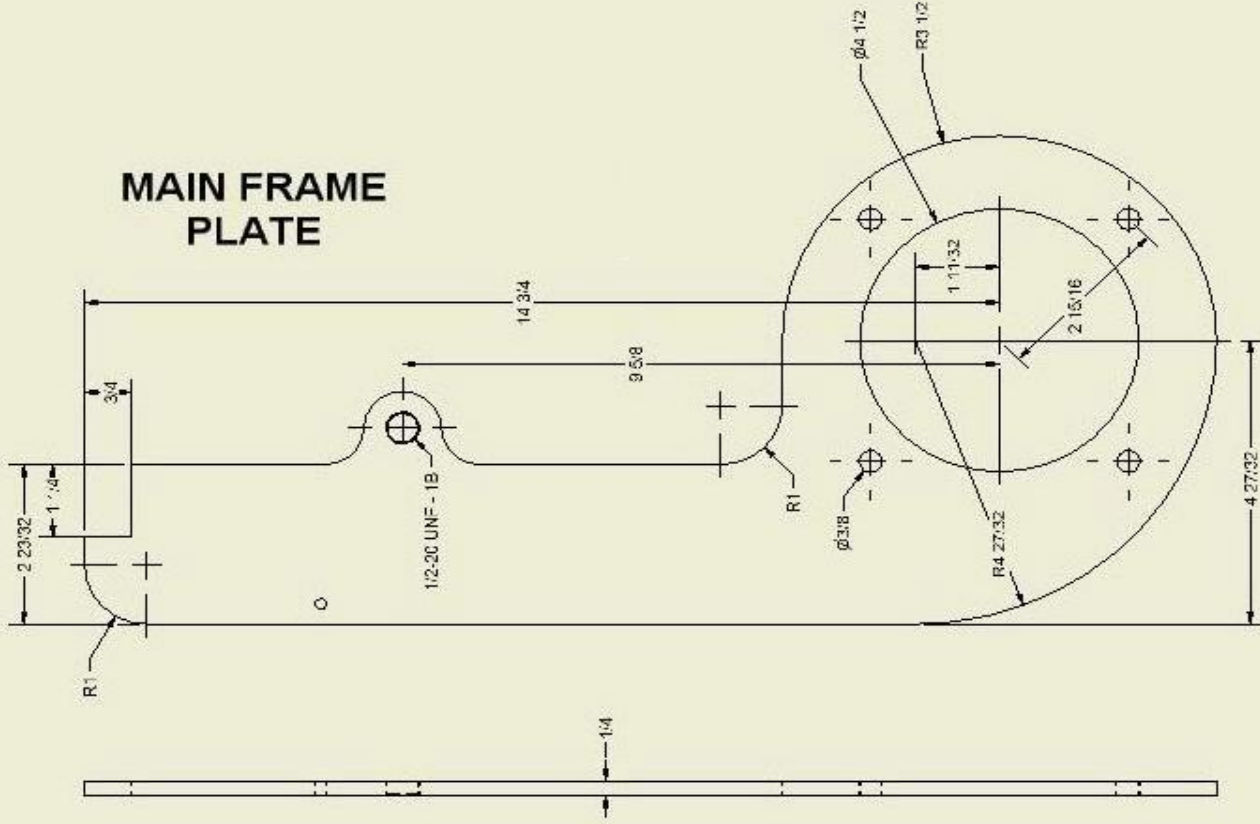


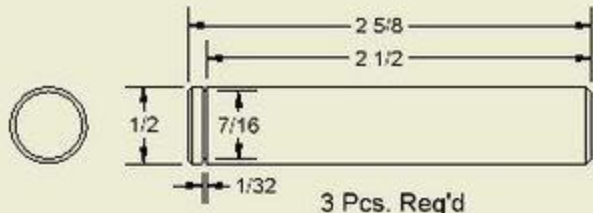
Platen



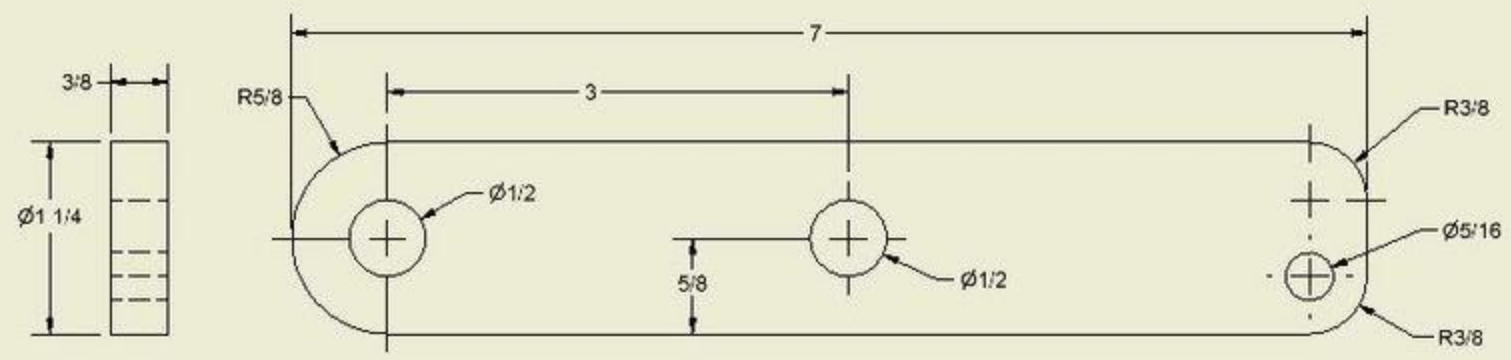
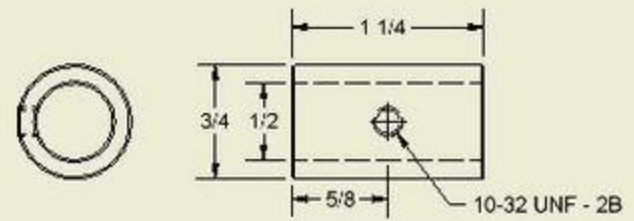
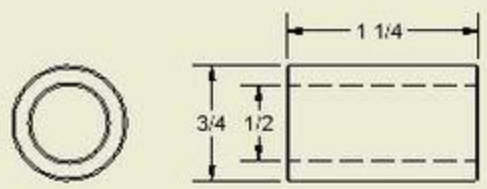
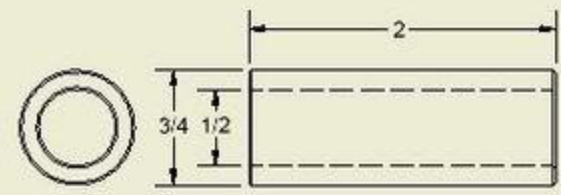


MAIN FRAME PLATE



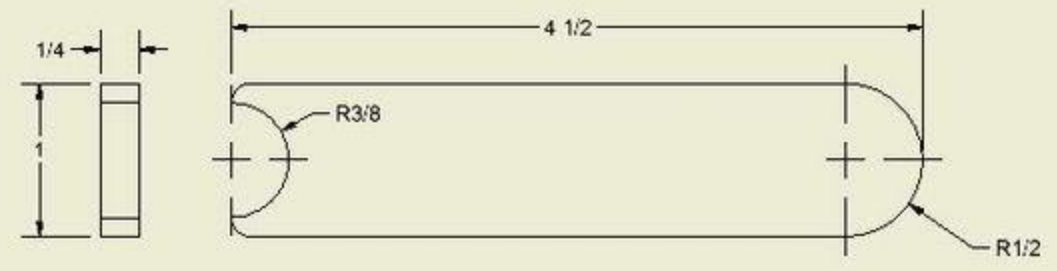


3 Pcs. Req'd

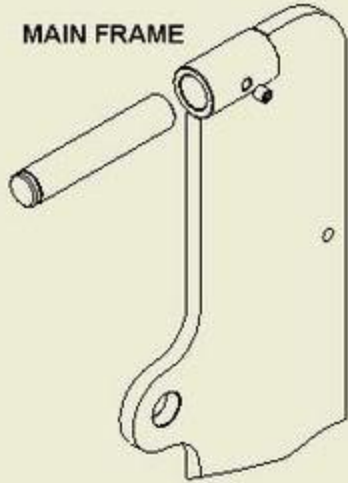


BELT SANDER PARTS

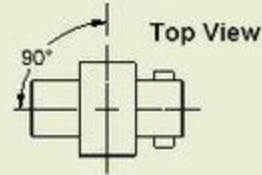
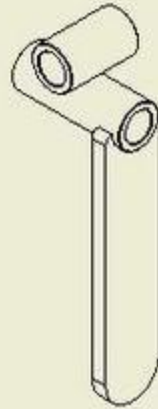
Scale - Full



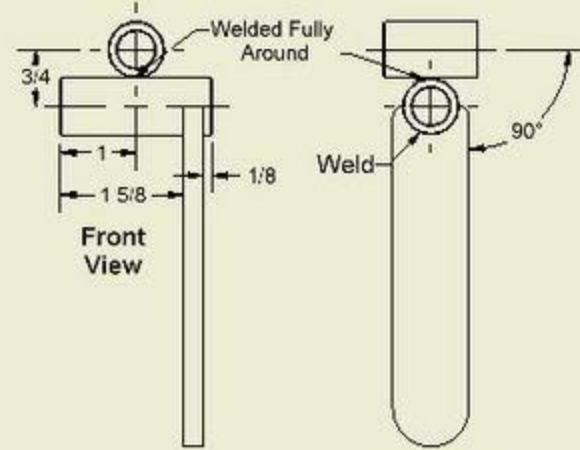
MAIN FRAME



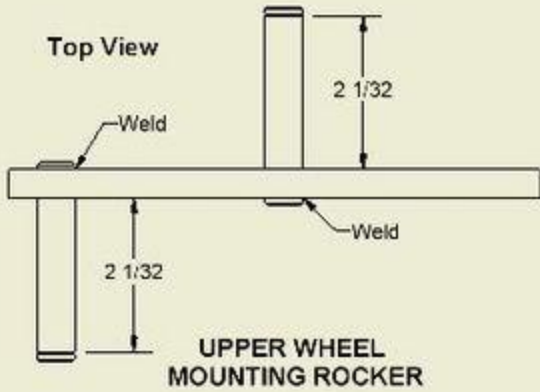
Sleeve is Centered on Backbone and Welded. Shaft is Fully Inserted into Sleeve and Secured with the Set Screw.



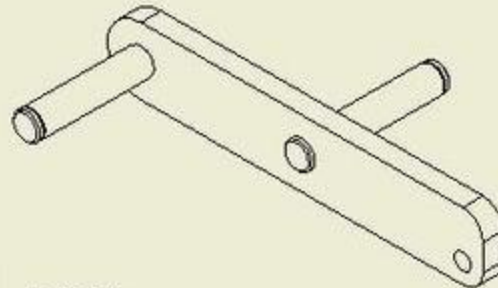
TRACKING ADJUSTER



Top View



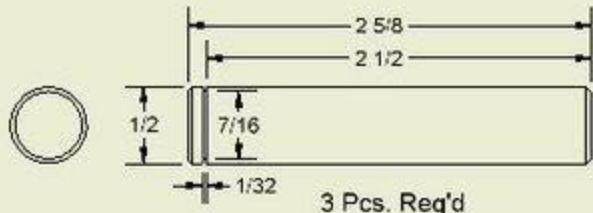
UPPER WHEEL MOUNTING ROCKER



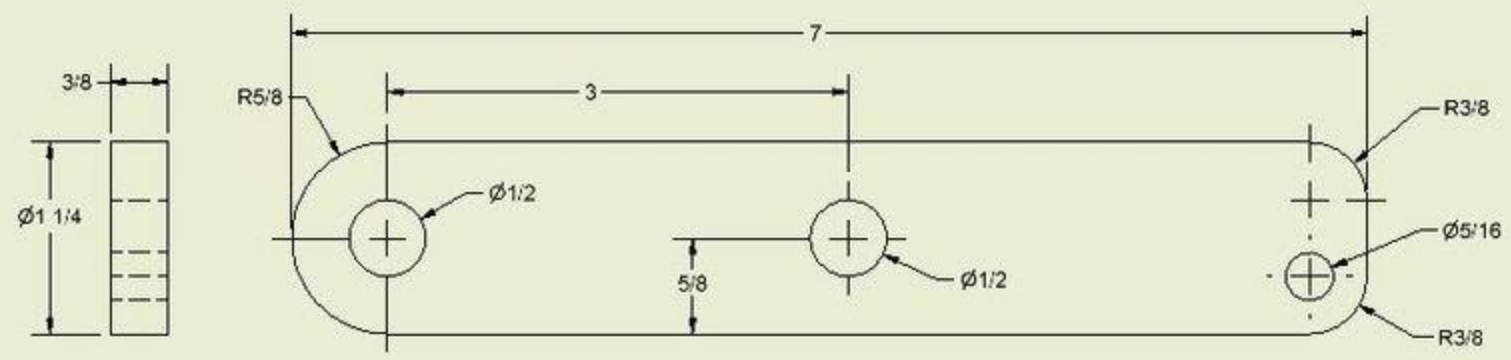
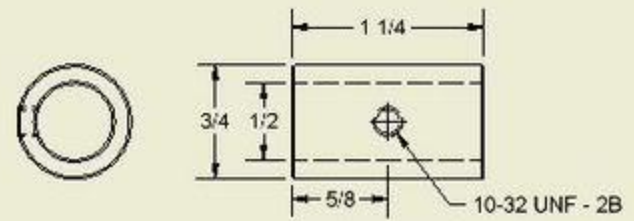
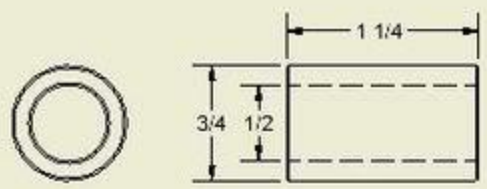
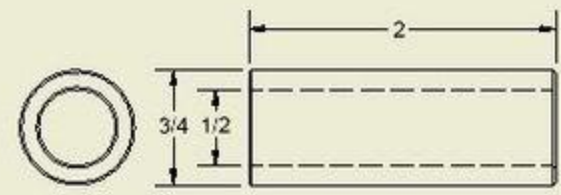
R.H. View



ASSEMBLY DIMENSIONS

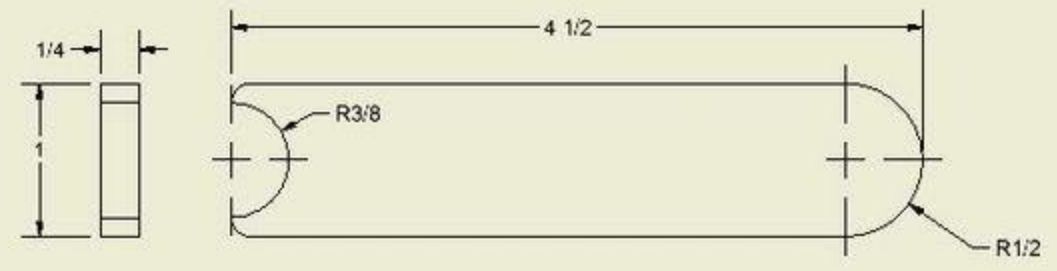


3 Pcs. Req'd

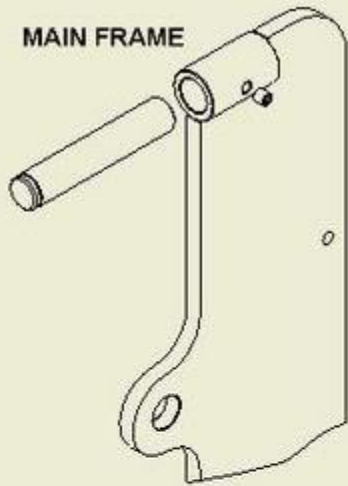


BELT SANDER PARTS

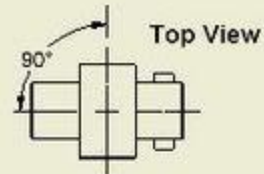
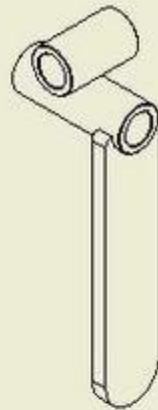
Scale - Full



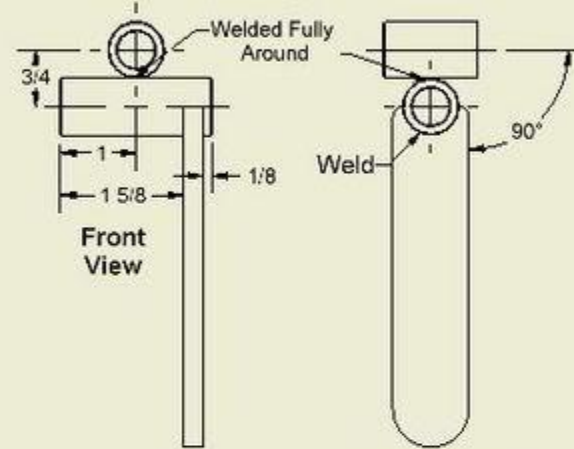
MAIN FRAME



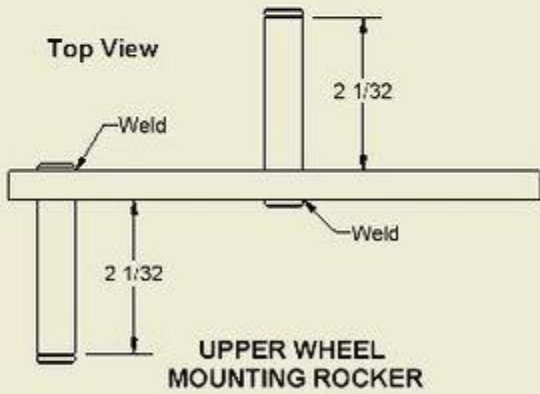
Sleeve is Centered on Backbone and Welded. Shaft is Fully Inserted into Sleeve and Secured with the Set Screw.



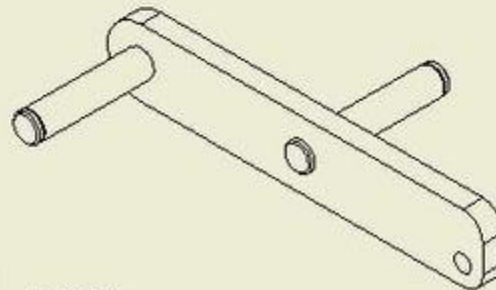
TRACKING ADJUSTER



Top View



UPPER WHEEL MOUNTING ROCKER



R.H. View



ASSEMBLY DIMENSIONS